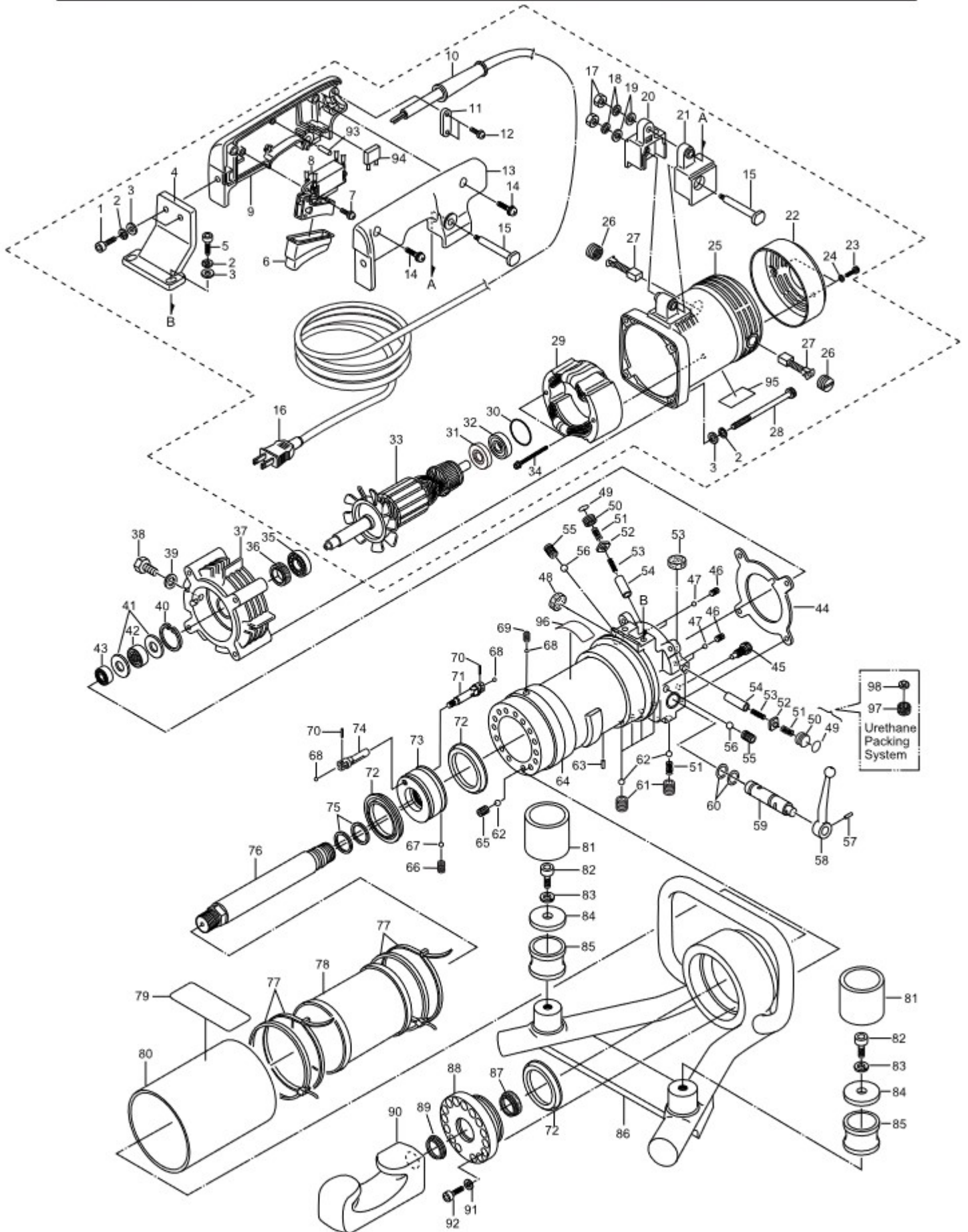


ELECTRO-HYDRAULIC REBAR STRAIGHTENER HBB-32HPW PARTS BREAKDOWN



Ogura & Co., Ltd.

PB No. HBB-32HPW/1107

HBB-32HPW Parts List

No.	P/N	Description	Qty.		
1	7513090	Bolt HB6 X 22	2		
2	7610040	Washer SW6	8		
3	7600030	Washer WM6	8		
4	4500720	Handle Bracket A	1		
5	7513040	Bolt HB6 X 20	2		
6	6415810	Dust Cover	1		
7	6415820	Bolt M4 X 16	1		
8	6415880	Switch C3D-H-MS	1		
9	6415750	Handle Set (Pair)	1 set		
10	6415910	Strain Relief (HR5000MT)	1		
11	6415930	Cord Clamp Washer	1		
12	6415830	Bolt M4 X 18 WR	2		
13	6415750	Handle Set (Pair)	1 set		
14	6415840	Bolt M5 X 25	2		
15	6415010	Handle Shaft	2		
16	6401050	Electric Supply Cord 110-120V	1		
	6301460	Electric Supply Cord 220-240V	1		
17	6415040	Nut M6	1		
18	6415030	Spring Washer 6	1		
19	6415020	Washer 6	1		
20	4500730	Handle Bracket R	1		
21	4500740	Handle Bracket L	1		
22	6415800	Half Open Cover	1		
23	6415860	Bolt M5 X 16	2		
24	6415870	Spring Washer 5	2		
25	6415740	Motor Housing Set	1		
26	6415710	Brush Cap	2		
27	6415730	Carbon Brush (Pair)	1 set		
28	7513160	Bolt HB6 X 85	4		
29	6415510	Filed 110-120V (HR5000MT)	1		
	6415520	Filed 220-240V (HR5000MT)	1		
30	6415770	O Ring 30	1		
31	6415940	Insulator Wahser	1		
32	6415760	Ball Bearing 6200DDW	1		
33	6415610	Armature set 110-120V (HR5000MT)	1 set		
	6415620	Armature set 220-240V (HR5000MT)	1 set		
34	6415790	Bolt M5 X 55	2		
35	7102050	Ball Bearing 6202RU	1		
36	6504050	Oil Seal HHS15257	1		
37	3214000	Pump Case	1		
38	7501000	Bolt SB10 X 15	1		
39	7650010	Seal Washer WF10171.6	1		
40	7411070	Stop Ring H26	1		
41	3300190	Needle Holder	2		
42	7000010	Needle Bearing 12NQ2410A	1		
43	7100010	Ball Bearing 608	1		
44	4601570	Liner B	1		
45	3501160	Oil Leveler Sack Retaining Bolt	1		
46	7520000	Bolt HS3 X 2.5	4		
47	7900090	Steel Ball D2.5	4		
48	4500010	Magnet	2		
49	3500540	Packing	2		
50	6505590	O Ring S8	2		

HBB-32HPW Parts List

No.	P/N	Description	Qty.		
51	4002010	Check Valve Spring	2		
	4002010	Check Valve Spring	1		
52	3500450	Check Valve	2		
53	4003010	Piston Return Spring	2		
54	3500350	Piston	2		
55	7521050	Bolt HS10 X 10	2		
56	7900020	Steel Ball D8	2		
57	7810110	Spring Pin SRP5 X 24	1		
58	3502320	Change Lever	1		
59	9001740	Change Valve Set	1 set		
60	6505080	O Ring P18	2		
61	7521040	Bolt HS8 X 10	5		
62	7900030	Steel Ball D6.35	6		
63	7810020	Spring Pin SRP3 X 12	1		
64	9009970	Cylinder With Piston & Oil Lever Set	1 set		
	9009990	Cylinder Set	1 set		
65	7521030	Bolt HS8 X 6	1		
66	7520060	Bolt HS6 X 10	1		
67	7900060	Steel Ball D5	1		
68	7900010	Steel Ball D4	2		
	7900010	Steel Ball D4	1		
69	7523000	Bolt HS6 X 6	1		
70	7810010	Spring Pin SRP2.5 X 10	2		
71	3501000	Seal Valve Bolt	1		
72	6501020	Packing	3		
73	3507170	Bending Piston	1		
74	3501150	Seal Valve Nut	1		
75	6505090	O Ring P21	2		
76	3507180	Bending Rod	1		
77	6600050	SK Binder	4		
78	4500430	Oil Leveler	1		
79	8002010	Name Label	1		
80	3304200	Side Cover	1		
81	3507250	Roller	2		
82	7515010	Bolt HB10 X 20	2		
83	7610060	Spring Washer SW10	2		
84	3303200	Washer A6	2		
85	3507240	Collar	2		
86	9000960	Arm Set	1		
87	6500030	Rod Seal Packing	1		
88	3502300	Rod Cover	1		
89	6503510	Dust Seal	1		
90	3150720	Bending Hook A	1		
91	7620040	Washer HW8	15		
92	7514010	Bolt HB8 X 20	15		
93	6400770	Rubber Pin 4	2		
94	6415950	Condenser 0.1MF	1		
95	8010070	Name Label	1		
96	8006700	Warning Label	1		
97	4500020	Urethane Packing	2		
98	3500550	Spring Holder	2		

